


LANE LINE PARTS & ACCESSORIES



Anti Wave Nylon Lane Line Anchor

Installs in to the pool wall, for anchoring lane lines. Anchor does not require earthing.




Anti Wave Stainless Steel Lane Line Anchor

Installs into the pool wall, for anchoring lane lines. Includes coupling nut for threaded rod extension.

Multiple ways to anchor and seal in epoxy:
 1. All thread rod
 2. Hex head bolts
 *not included.

Labels: Smaller diameter rear plate, Large diameter face plate, Mirror polish, Hook pin closer to face, Full Seam Welds *waterlight

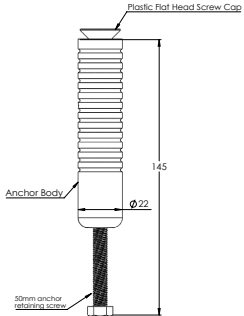



ChemSet Anchor

Lane Line Anchor for Overflow Pools

Low profile lane line anchor for use on pools with overflow gutters.

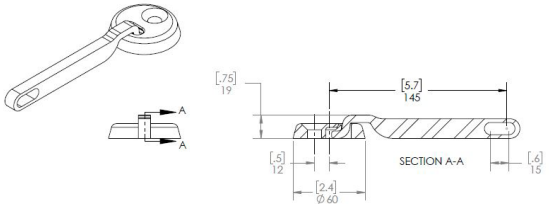
- Marine-grade, 316 stainless steel with vinyl coated for extra protection
- 140mm and 200mm lengths
- ChemSet anchor kit included



Labels: Plastic Flat Head Screw Cap, Anchor Body, 20mm anchor stainless steel

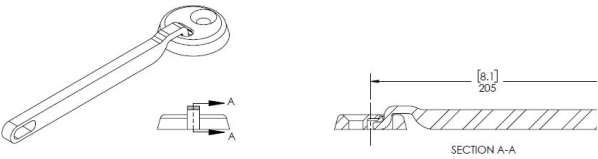
Dimensions: 145, $\varnothing 22$

140mm Anchor



Dimensions: [7.5] 19, [5.7] 145, [1.5] 12, [2.4] $\varnothing 60$, [4] 15, SECTION A-A

200mm Anchor



Dimensions: [8.1] 205, SECTION A-A

Lane Line Parts & Accessories

Model/Item No.	Description
17-61-003	Nylon Lane Line Anchor
17-61-A04	Stainless Steel Lane Line Anchor
17-61-140S	Lane Line Anchor for Overflow Pools 140mm
17-61-200S	Lane Line Anchor for Overflow Pools 200mm