

# Velocity Advantage



Velocity Advantage starting blocks feature strong fiberglass footboards with track start wedge on an HDPE composite base, particularly suitable for bulkheads.

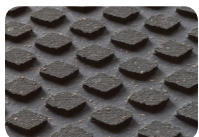
- The marine grade HDPE composite base easily mounts to pool decks or bulkheads with minimal drilling
- 16" (41cm) height makes it well suited for bulkheads and end walls with 8" to 13.5" (20cm-42cm) deck to water heights
- The 28" x 32" (71cm x 81cm) footboard surface is available with TrueTread™ or sand tread
- Track start wedge, adjustable to 5 positions, easily tucks under the footboard
- Patent pending integral backstroke start ledge is adjustable to five positions in accordance with FINA standards
- Three built in backstroke handholds – two center positions and one on each side
- Colorado & Daktronics timing system compatible
- Custom colors and logos available on sand tread footboards
- Meets FINA, NCAA, NFSHSA\*, USMS and USAS competition pool rules and regulations

\*NFSHSA rules do not allow use of backstroke ledge

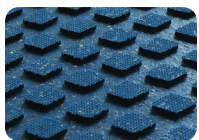
Model No.	Description	Shipping (Class 150)			
		Weight	Length	Width	Height
VELO-ADV-BK-T	Velocity Advantage with TrueTread™	117lbs 53kg	37" 94cm	34" 86cm	28" 71cm
VELO-ADV-BK-S	Velocity Advantage with sand tread	117lbs 53kg	37" 94cm	34" 86cm	28" 71cm

## TrueTread™ Colors

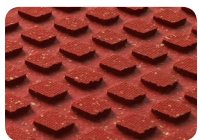
Provides a resilient, anti-slip footing



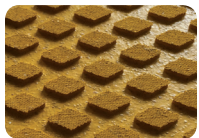
GRAY



BLUE



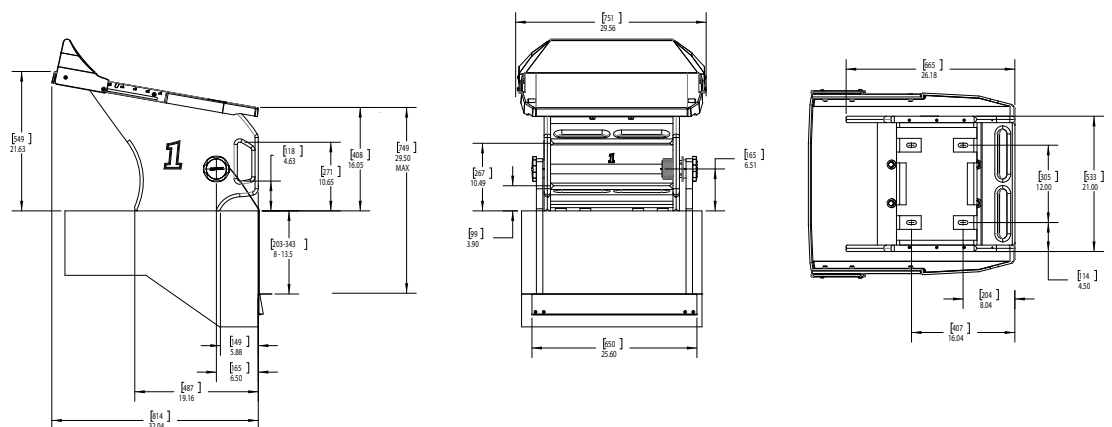
RED



YELLOW

## Accessories:

- BLCVR-1317-WHT Pyramid-Shaped Safety Cover
- BLCVR VELO-WHT Full Surface Safety Cover
- BLCVR VELO-WHT-L Full Surface Safety Cover w/ Lock
- 27-111 Anchoring Kit (sold separately)



White sand tread is an option, with custom colors and logo available for an additional charge

